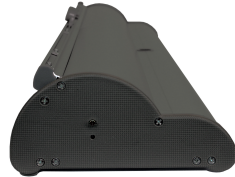


Orient & Orient 2

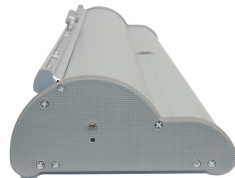
The Orient is a simplistic and elegantly designed banner stand that has the capability to be double sided. Dual retractor mechanisms allow you to present two graphics back to back. It is finished in anodized silver or black with heavy duty molded endplates. Padded carry bag is included.



Single-sided Black Base



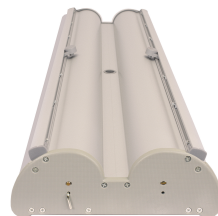
Single-sided Silver Base



Double-sided Black Base



Double-sided Silver Base



Features and Benefits

- Variable width
- Molded endplates
- Can be single or double sided
- Supplied with quality carry bag
- Available in anodized silver or black
- Integrated pole storage for the 3 piece bungee cord pole

Dimensions

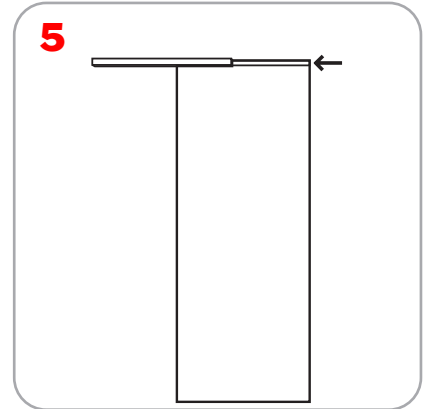
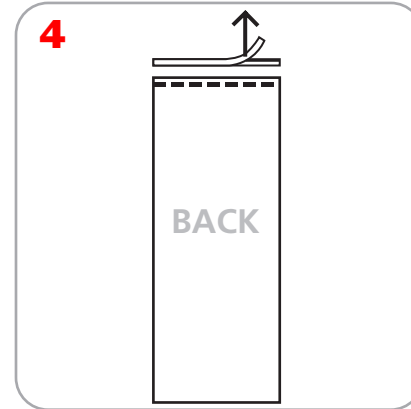
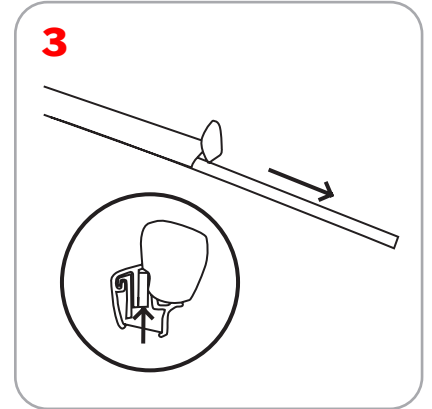
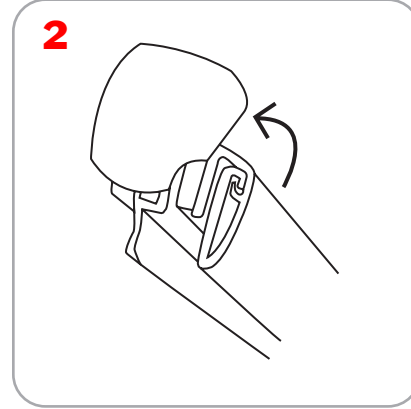
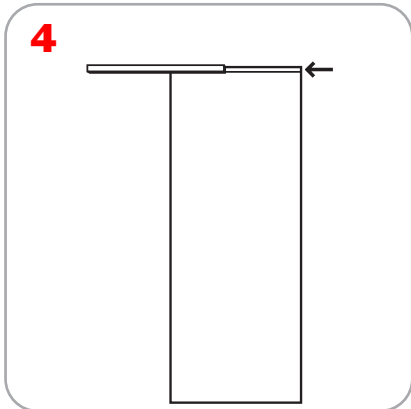
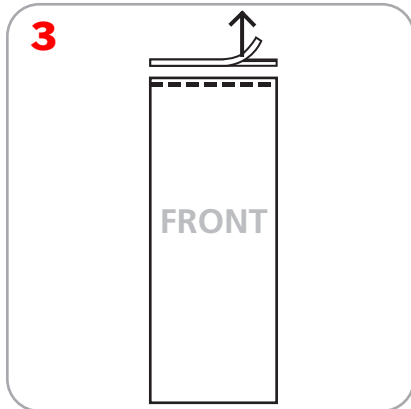
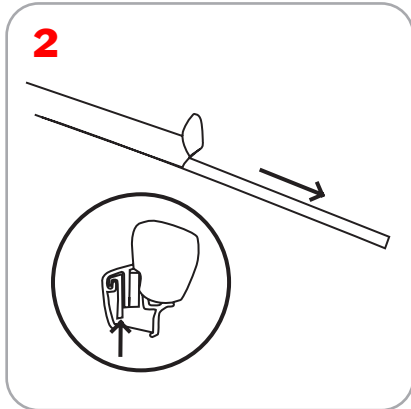
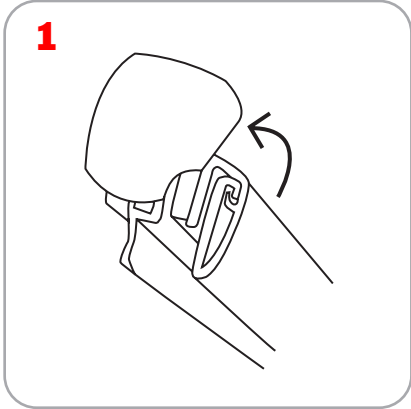
Orient Base Hardware Dimensions		Orient 2 Base Hardware Dimensions	
Orient 800:	32.5" w x 7.25" d x 3.5" h 825.5mm w x 184.15mm d x 88.9mm h	Orient 2 800:	32.5" w x 9.56" d x 3.5" h 825.5mm w x 242.824mm d x 88.9mm h
Orient 920:	36.75" w x 7.25" d x 3.5" h 933.45mm w x 184.15mm d x 88.9mm h	Orient 2 920:	36.75" w x 9.56" d x 3.5" h 933.45mm w x 242.824mm d x 88.9mm h
Orient 1000:	40.275" w x 7.25" d x 3.5" h 1022.985mm w x 184.15mm d x 88.9mm h	Orient 2 1000:	40.275" w x 9.56" d x 3.5" h 1022.985mm w x 242.824mm d x 88.9mm h
Orient Graphic Dimensions		Orient 2 Graphic Dimensions	
Orient 800:	31.5" w x 83.25" h 800.4mm w x 2114.55mm h	Orient 2 800:	31.5" w x 83.25" h 800.4mm w x 2114.55mm h
Orient 920:	35.5" w x 83.25" h 901.7mm w x 2114.55mm h	Orient 2 920:	35.5" w x 83.25" h 901.7mm w x 2114.55mm h
Orient 1000:	39.25" w x 83.25" h 996.95mm w x 2114.55mm h	Orient 2 1000:	39.25" w x 83.25" h 996.95mm w x 2114.55mm h
All require an additional 1/2" bleed at top and 6" bleed a bottom		All require an additional 1/2" bleed at top and 6" bleed a bottom	

Additional Information

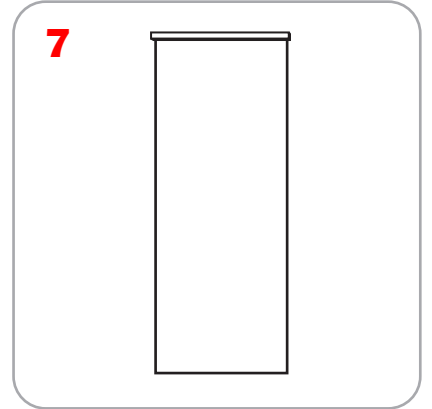
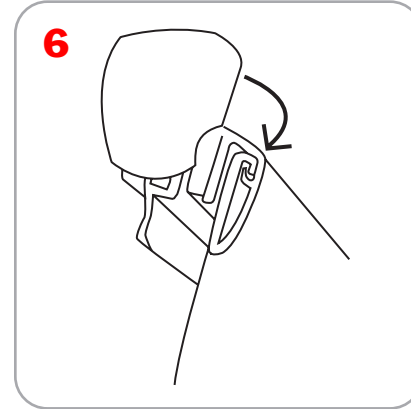
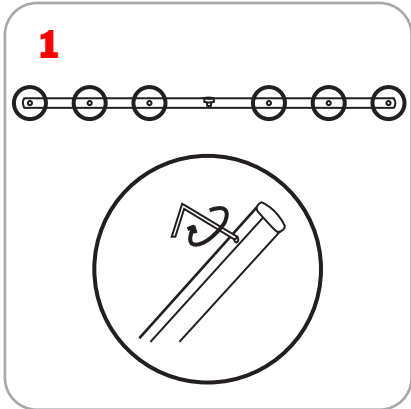
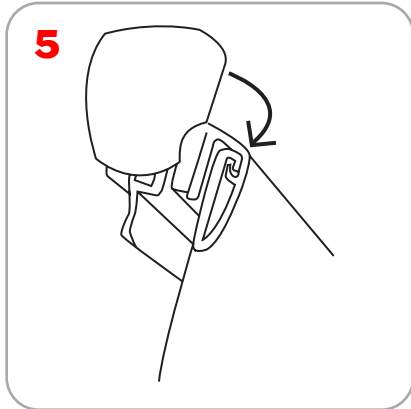
Shipping Weights & Dimensions					
Orient 800:	36" x 10" x 6" 914.4mm x 304.8mm x 152.4mm	11 lbs 4.99 kg	Orient 2 800:	36" x 12" x 12" 914.4mm x 304.8mm x 304.8mm	16 lbs 7.25 kg
Orient 920:	43" x 10" x 6" 1092.2mm x 304.8mm x 152.4mm	12 lbs 5.44 kg	Orient 2 920:	43" x 12" x 12" 1092.2mm x 304.8mm x 304.8mm	18 lbs 8.16 kg
Orient 1000:	43" x 10" x 6" 1092.2mm x 304.8mm x 152.4mm	12 lbs 5.44 kg	Orient 2 1000:	43" x 12" x 12" 1092.2mm x 304.8mm x 304.8mm	18 lbs 8.16 kg

Recommended Substrate: Dye-sub material, Vinyl, Scrim Vinyl, Flag Material
 Included in Kit: Base, top rail, bungee cord pole, and carry bag
 Can add lighting with any of our lights
 Lumina 2 is recommended
 Must order universal connector for Lumina 7 and Lumina 200
 -Adhesive top rail attachment recommended for short-term use, grippa top rail attachment recommended for long term, semi-permanent graphic attachment.

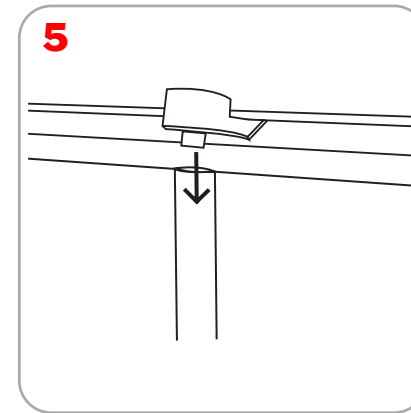
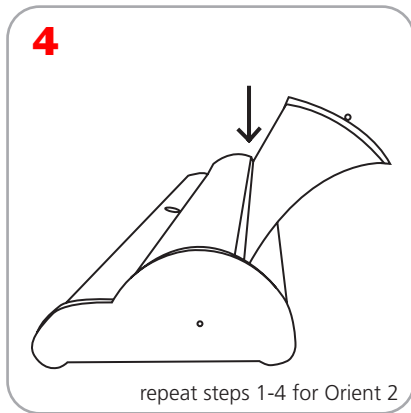
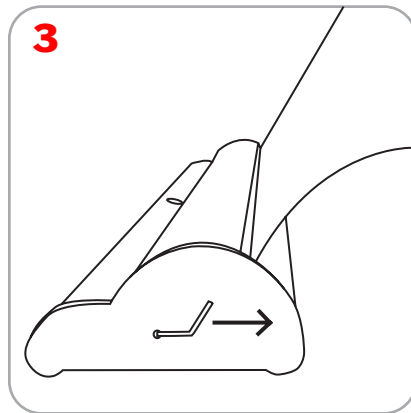
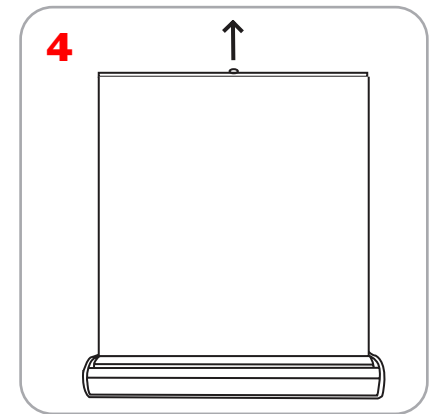
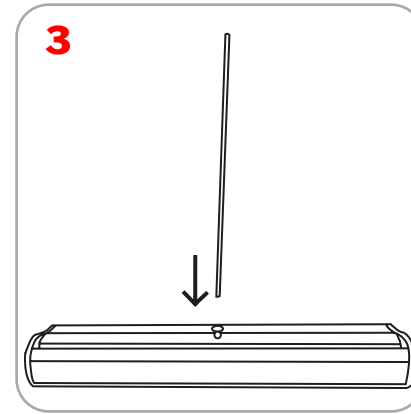
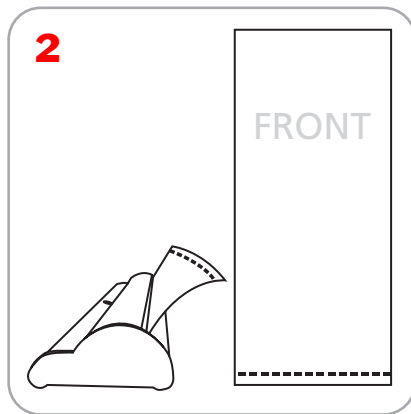
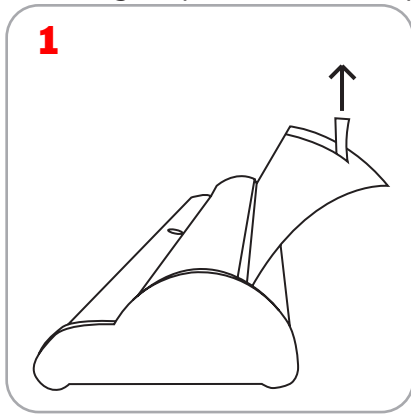
Adhesive Top Rail Attachment



Grippa Top Rail Attachment



Attaching Graphic to Leader strip



Assembly Instructions

